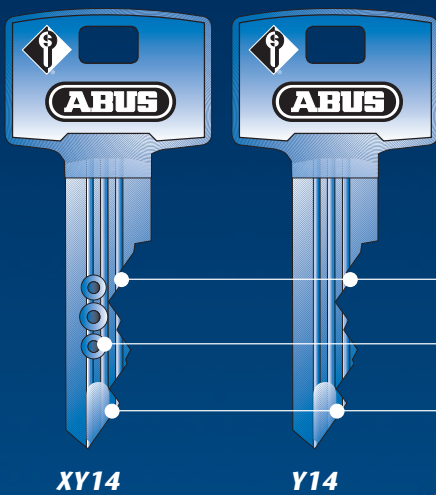


Y14 and XY14 Profile Cylinder System: Key system with curved precision

Features:

- Curved profile for effective picking resistance
- Extremely complicated keyway for high protection against copying of keys
- Unique cylinder stop pin interacts with the tip of the key for increased protection against key duplication and manipulation

**The Y14 and XY14 series are designed for complex key systems
with precise security demands**



5 or 6 pin tumbler activate the first row of pins

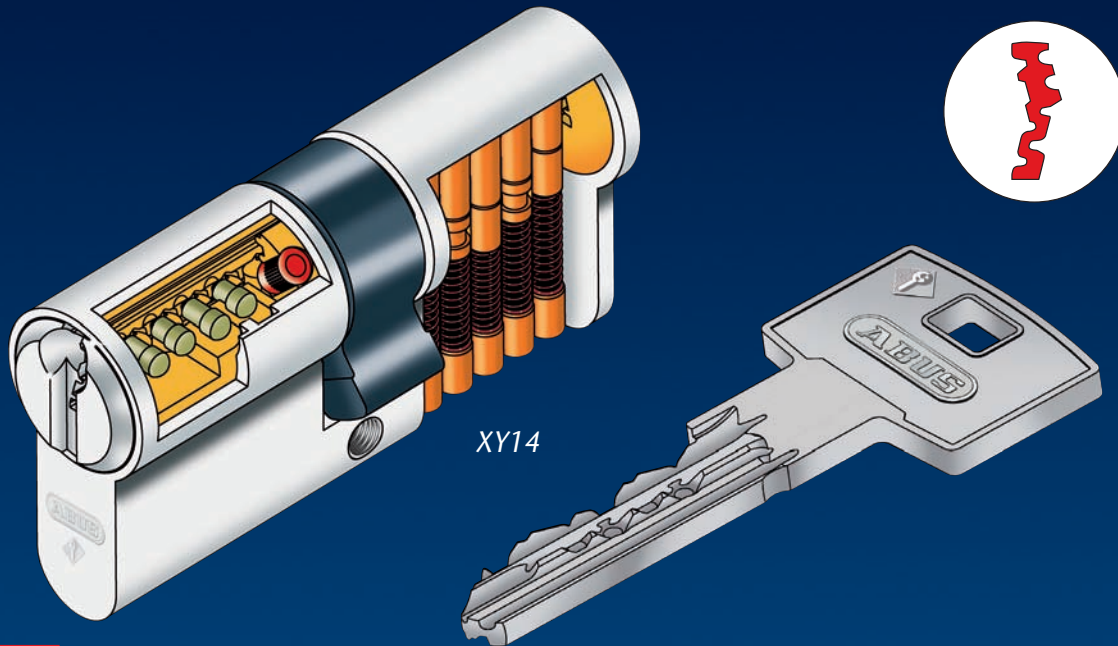
XY14 system offers additional passive pins in the second row of pins

Y and XY14 offer a patented cylinder stop in the key tip



Y14 and XY14 Profile Cylinder System:

Key system with curved precision



Features:

- 14 mm core diameter: allows larger key systems
- Keys and pins made from durable nickel silver to reduce wear and tear
- First and third pair of pins manufactured from hardened special steel alloy to provide effective anti-drill protection
- Patented locking technique provides both legal and physical protection against illegal duplication and offers a high level of key security
- Optional VdS class B (BS) version, with 6 key cuts, offers insurance companies' approval
- Key systems compatible up and down, e.g. Y14 and XY14, for economic key systems
- Profile cylinders manufactured according to DIN EN 1303 and DIN 18252
- Patented until 2020

Y14 and XY14 systems are available in double, knob and half cylinders.
Plus other cylinder types on request.

Your contact:

Schließanlagen GmbH
Pfaffenhain

Fabrikstraße 1
09387 Jahnsdorf
Tel.: 03 72 96/713-0
Fax: 03 72 96/ 713 713

